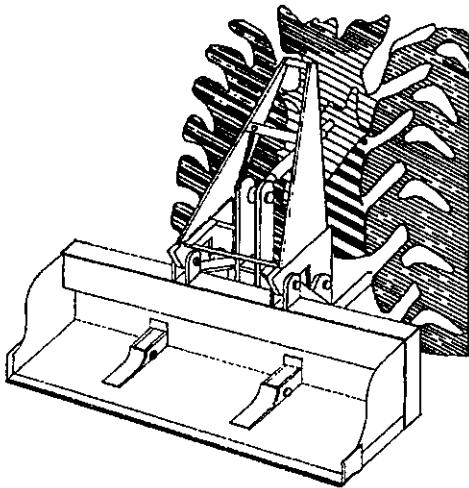


BUCKET

HMB210

BUCKET HMB210



Serial Number

The Serial and Model Numbers are stamped on the frame of your HMB210.

For future reference record the numbers below. ALWAYS quote them when ordering spareparts.

MODEL No. _____

SERIAL No. _____

DATE PURCHASED _____

We hope you will be happy with your RB Spraytech Bucket HMB210. Treat it well - and it will serve you diligently for many years to come. Should you encounter problems - or have question in respect of road building or work site levelling. Please feel free to contact us or consult our dealers.

Notes :

1) Continuous R&D may result in the technical contents of this Manual not always being identical to the specifications for the latest model delivered.

2) For more details and technical support, consult our web-page :
www.rbspraytech.com

“YOUR KEY TO SMART TECHNOLOGY”



! SAFETY PRECAUTIONS & OPERATING INSTRUCTION !

Before Use

- Ensure operators have read and are familiar with instructions contained in this manual.
- Consult the Tractor Manufacturer's Manual for instructions on mounting implements and safe working methods.
- Ensure the BUCKET is sitting on firm level ground.
- Ensure the BUCKET is set parallel to the ground, when looking from the back, this is to ensure horizontal levelling is achieved.
- Inspect the work area for obstructions which may constitute a hazard.
- Ensure the work area is clear of bystanders.
- Ensure that all bolts and nuts are tightened and that all hitch pins are properly secured before commencement of work.
- Disengage all clutches and shift into neutral prior to starting the tractor engine.

During Use

- Lower the BUCKET onto the ground before reversing or moving forward at a speed suitable for prevailing conditions.

As a general guide, the more unfavourable the conditions are, the SLOWER the tractor travelling speed should be.

- Observe all safe driving procedure such as reducing speed on slopes and sharp turns.
- Avoid working on ground where there is a risk of the tractor overturning.
- Do not operate across the face of slopes.
- DO NOT REVERSE the tractor when the BUCKET is in tilted / emptying position.
- When making sharp turns, while operating the BUCKET, ALWAYS lift the implement clear of the ground.
- Watch out for worn release clamps or spring which may cause hazards.

After Use

- Ensure the Actuating Arm is in its clamping position and is securely clamped when transporting the BUCKET or not in use.
- Inspect the BUCKET for damage and change the worn out parts before commencing the next session of work.
- Check that all bolts, nuts and fasteners are tight.
- Clean the implement and lubricate all pivot points before storage.



Always

- Wear substantial or safety footwear.
- Avoid loose clothing which may be caught in moving parts.
- Wear earmuffs or earplugs. Prolonged exposure to noise can cause impairment or loss of hearing.
- Wear gloves when handling worn implements or parts with sharp edges.
- Use the implement only for the purposes for which it was designed, tested and in accordance with the instructions contained in this manual.
- Ensure the BUCKET is not operated by children or untrained persons.

NEVER

- Allow passengers on the tractor or implement when operating.
- Check oil levels whilst the tractor is running.
- Carry out cleaning, lubricating, adjustments or repairs to a mounted implement unless the tractor engine is stopped and the implement firmly supported or lowered to the ground.
- Leave the tractor seat unless the implement is lowered, the gear shift in neutral, the brake applied, the engine stopped and the ignition key removed.

**BE A SAFE OPERATOR
BY THINKING - BEFORE ACTING**



BUCKET HMB210

- Tractor Mounted

www.rbspraytech.com

Specification	HMB210
Working width	210 cm
Tractor HP, recommended	35 and above
Linkage, three-point	Cat 1 / 2
Weight	210 kg

HMB210 is a useful contractor's implement for road building, construction sites and quarry work.

This Bucket is constructed from superior materials and with first-class workmanship, and will as such give maximum value for the investment.

It is cheaper to identify defects early - but cheaper still to avoid them - by preventive maintenance.

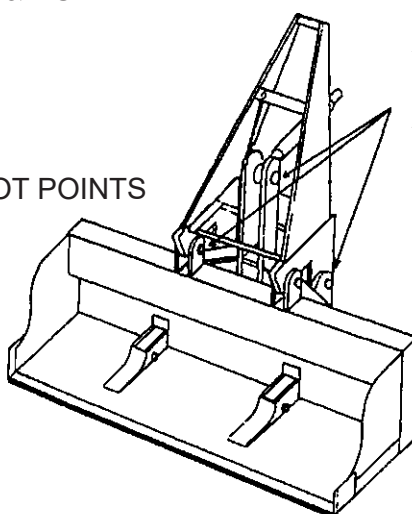
MAINTENANCE GUIDE

ALWAYS

ENSURE ALL BOLTS & NUTS
ARE TIGHTENED

REGULARLY

LUBRICATE ALL PIVOT POINTS

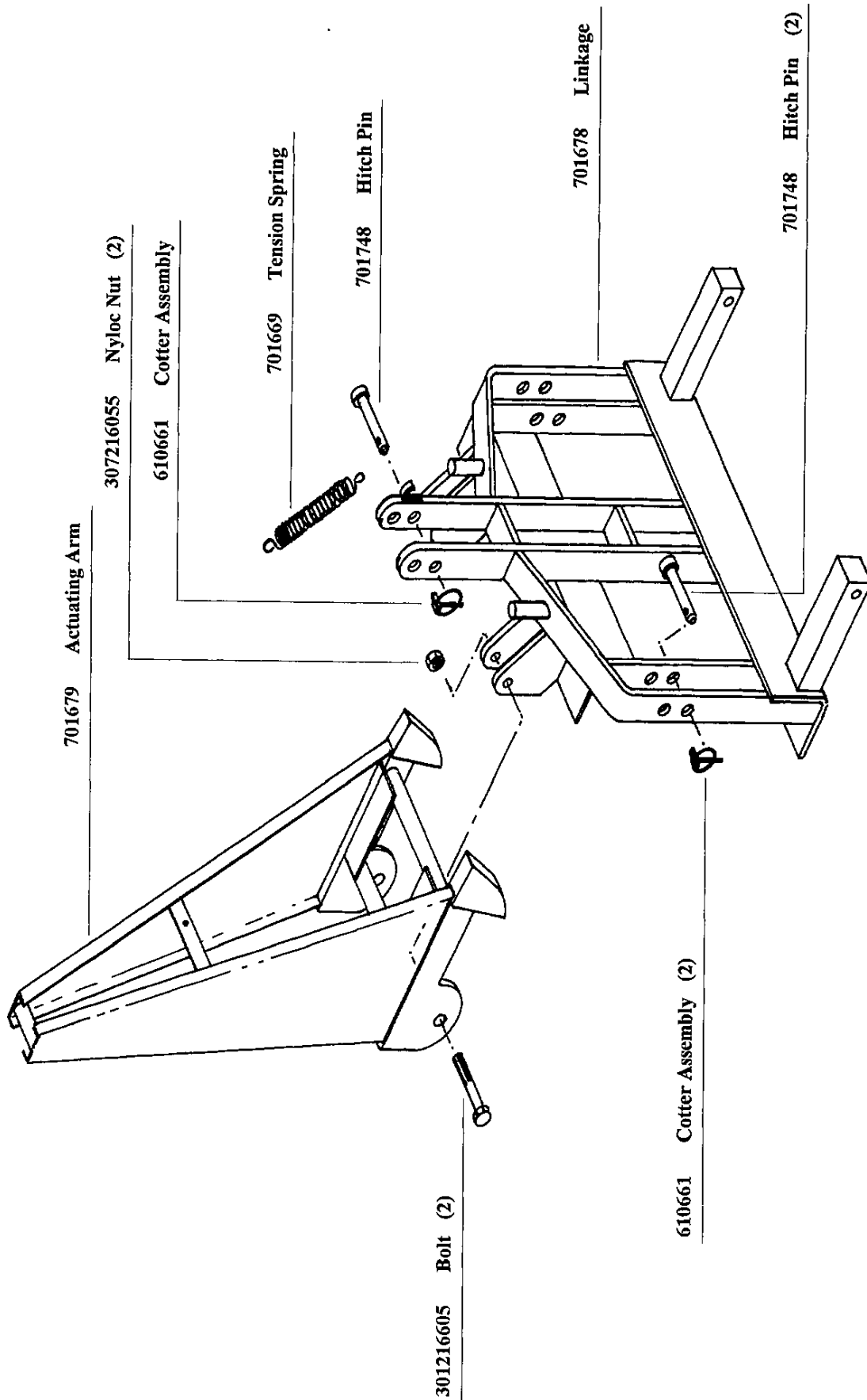


ALWAYS

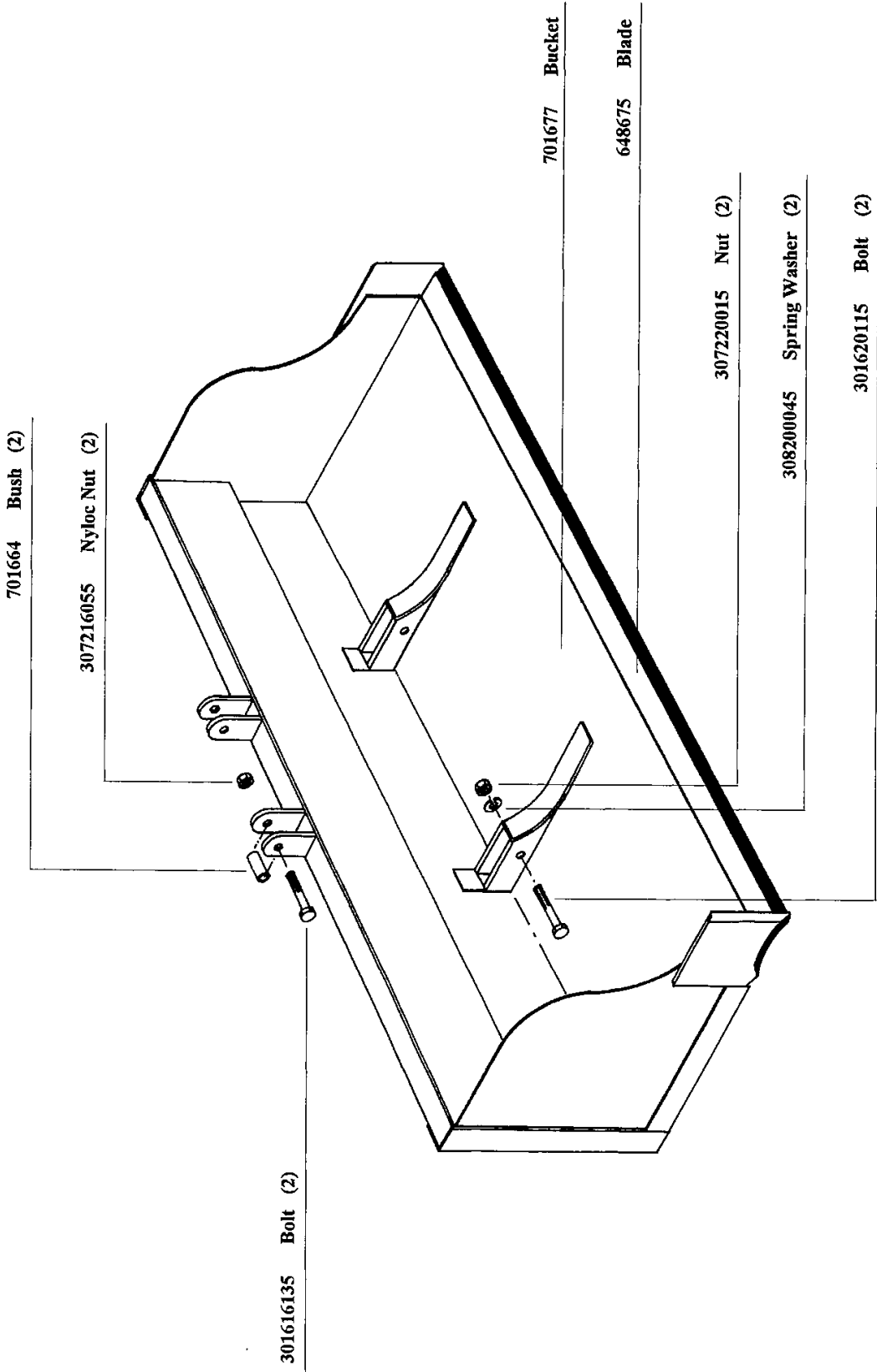
ENSURE ALL HITCH PINS
ARE PROPERLY SECURED



Linkage & Actuating Arm



Bucket



701664 Bush (2)

307216055 Nyloc Nut (2)

301616135 Bolt (2)

701677 Bucket

648675 Blade

307220015 Nut (2)

308200045 Spring Washer (2)

301620115 Bolt (2)



www.rbspraytech.com

WARRANTY

RB SPRAY TECH welcomes any warranty repair and apologises for any inconvenience caused. See the next page for the statement of the warranty coverage offered by RB SPRAY TECH. The following information will assist your understanding of warranty procedures.

Any authorised RB SPRAY TECH dealer service outlet can perform warranty repairs, however, we recommend that such repairs be carried out by the Dealer from whom you bought the machine.

Most warranty repairs are handled routinely, but sometimes requests for repairs cannot be accepted under warranty. Normal wear and tear is not covered by warranty nor does warranty apply if a machine fails prematurely and that failure can be attributed to abuse or neglect.

Whilst RB SPRAY TECH will abide by its warranty policy under all genuine circumstances, we must emphasise that such can only apply when our equipment has been used in applications for which it was designed and manufactured and that a reasonable degree of care and common sense has been exercised by the operator.

Warranty Repair Site

The warranty provides for repairs to be carried out at the servicing dealer's normal place of business. An owner may elect to have repairs carried out at his own residence but, whilst RB SPRAY TECH will accept the actual repair cost of the failed component(s), the travelling costs will not be covered under warranty.

Items Not Covered By Warranty

The warranty does not allow for the cost of the following items. These are the responsibility of the owner.

- 1) Labour to travel to and from a broken-down machine or for any distance charges.
- 2) Labour premiums that might apply for any repairs that are made outside the dealer's normal business hours.
- 3) Transportation costs of the machine to and from the service outlet.
- 4) Freight costs to get parts to and from the service outlet.
- 5) Telephone and fax calls made by the owner in connection with the warranty repair.

TO PASS SAFETY INFORMATION

The buyer is responsible towards the final user for the safety information shown on the sale documentation, concerning use limit, performances and product features.

VALIDITY AND ACCEPTANCE

The guarantee is valid if the CERTIFICATE OF GUARANTEE is sent, to RB Spraytech Sdn. Bhd., with every part of it filled in,



www.rbspraytech.com

CERTIFICATE OF WARRANTY

The warranty will not be considered valid if this coupon, with every part of it filled in, is not mailed to the following address: Head Office RB Spray Tech Sdn. Bhd. (627487-P), No.1 , Jalan Ikan Mata Duyung,KS10, Kampung Nelayan, Telok Gong, 42000 Pelabuhan Klang,Selangor Darul Ehsan, Malaysia.,or sent by fax to the following number: +603 31341194.

Last name, Name or
NAME OF THE FIRM

ADDRESS

Place PROVINCE ZIP

e.mail (*) telephone (*)

Date of purchase INVOICE N.

MACHINE MOD. MATRICULATION N.

SPRAYHEAD MOD.

Dealer's stamp (compulsory)

(*) NOT COMPULSORY DATA

PRIVACY

Consent for the personal data processing– **PROTECTION OF THE PRIVACY .**

I authorize you to do the processing of my personal data in observance of the law above mentioned, for the indicated purposes, and so that they can be communication to the subjects for the declared purposes.

Date Signature

CUT ALONG THE DOTTED LINE